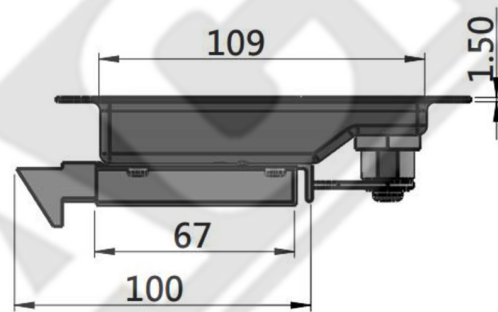
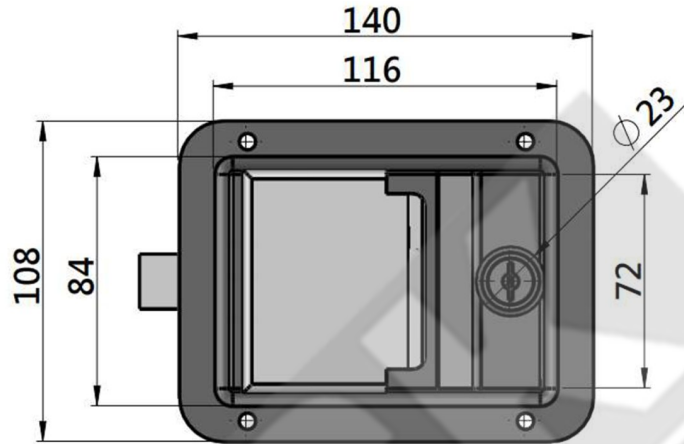
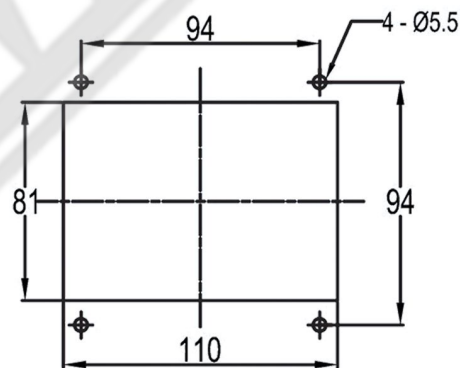
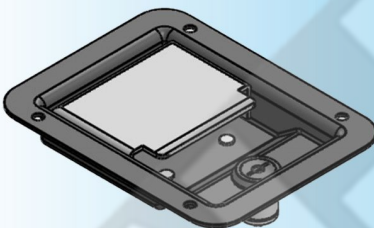


For Product Step File or 3D Model Send a Request Mail To info@nrack.com

Photo View



3D Rendered View

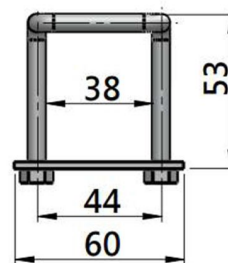
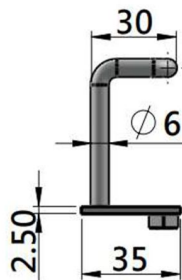


CUT OUT

CP - 06

- Material: Steel, Chrome Plating-Handle. Loking Cam-Zinc Die Cast(Chrome Plating)

- Finish: Black Powder Coating



LOCKING CLAMP

